



# ±15kV ESD-Protected +2.5V to +5.5V RS-232 Transceivers in UCSP

## General Description

The MAX3228E/MAX3229E are +2.5V to +5.5V powered EIA/TIA-232 and V.28/V.24 communications interfaces with low power requirements, high data-rate capabilities, and enhanced electrostatic discharge (ESD) protection, in a chip-scale package (UCSP™). All transmitter outputs and receiver inputs are protected to ±15kV using IEC 1000-4-2 Air-Gap Discharge, ±8kV using IEC 1000-4-2 Contact Discharge, and ±15kV using the Human Body Model.

The MAX3228E/MAX3229E achieve a 1µA supply current with Maxim's AutoShutdown™ feature. They save power without changes to existing BIOS or operating systems by entering low-power shutdown mode when the RS-232 cable is disconnected, or when the transmitters of the connected peripherals are off.

The transceivers have a proprietary low-dropout transmitter output stage, delivering RS-232 compliant performance from a +3.1V to +5.5V supply, and RS-232 compatible performance with a supply voltage as low as +2.5V. The dual charge pump requires only four small 0.1µF capacitors for operation from a +3.0V supply. Each device is guaranteed to run at data rates of 250kbps while maintaining RS-232 output levels.

The MAX3228E/MAX3229E offer a separate power-supply input for the logic interface, allowing configurable logic levels on the receiver outputs and transmitter inputs. Operating over a +1.65V to V<sub>CC</sub> range, V<sub>L</sub> provides the MAX3228E/MAX3229E compatibility with multiple logic families.

The MAX3229E contains one receiver and one transmitter. The MAX3228E contains two receivers and two transmitters. The MAX3228E/MAX3229E are available in tiny chip-scale packaging and are specified across the extended industrial temperature range of -40°C to +85°C.

## Applications

Personal Digital Assistants  
Cell Phone Data Lump Cables  
Set-Top Boxes  
Hand-Held Devices  
Cell Phones

*Typical Operating Circuits continued at end of data sheet.*

*Pin Configurations appear at end of data sheet.*

*UCSP is a trademark of Maxim Integrated Products, Inc.*

*AutoShutdown is a trademark of Maxim Integrated Products, Inc.*

## Features

- ◆ 6 × 5 Chip-Scale Packaging (UCSP)
- ◆ ESD Protection for RS-232 I/O Pins:
  - ±15kV—IEC 1000-4-2 Air-Gap Discharge
  - ±8kV—IEC 1000-4-2 Contact Discharge
  - ±15kV—Human Body Model
- ◆ 1µA Low-Power AutoShutdown
- ◆ 250kbps Guaranteed Data Rate
- ◆ Meets EIA/TIA-232 Specifications Down to +3.1V
- ◆ RS-232 Compatible to +2.5V Allows Operation from Single Li+ Cell
- ◆ Small 0.1µF Capacitors
- ◆ Configurable Logic Levels

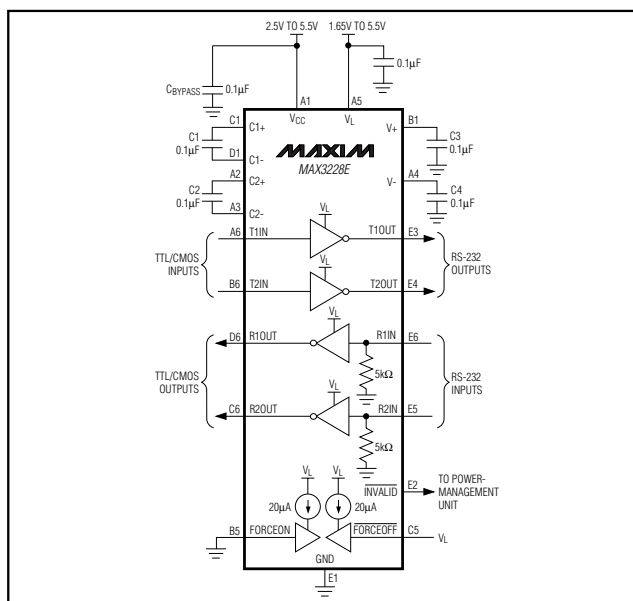
## Ordering Information

PART	TEMP RANGE	PIN-PACKAGE
MAX3228EEBV	-40°C to +85°C	6 × 5 UCSP*
MAX3229EEBV	-40°C to +85°C	6 × 5 UCSP*

\*Requires solder temperature profile described in the Absolute Maximum Ratings section.

\*UCSP reliability is integrally linked to the user's assembly methods, circuit board material, and environment. Refer to the UCSP Reliability Notice in the UCSP Reliability section of this data sheet for more information.

## Typical Operating Circuits



MAX3228E/MAX3229E



Maxim Integrated Products 1

**For pricing, delivery, and ordering information, please contact Maxim/Dallas Direct! at 1-888-629-4642, or visit Maxim's website at www.maxim-ic.com.**

# ±15kV ESD-Protected +2.5V to +5.5V RS-232 Transceivers in UCSP

## ABSOLUTE MAXIMUM RATINGS

V <sub>CC</sub> to GND	-0.3V to +6.0V
V <sub>+</sub> to GND	-0.3V to +7.0V
V <sub>-</sub> to GND	+0.3V to -7.0V
V <sub>+</sub> to IV-I (Note 1)	+13V
V <sub>L</sub> to GND	-0.3V to +6.0V
Input Voltages	
T <sub>IN</sub> , FORCEON, $\overline{\text{FORCEOFF}}$ to GND	-0.3V to (V <sub>L</sub> + 0.3V)
R <sub>IN</sub> to GND	±25V
Output Voltages	
T <sub>OUT</sub> to GND	±13.2V
R <sub>OUT</sub> INVALID to GND	-0.3V to (V <sub>L</sub> + 0.3V)
INVALID to GND	-0.3V to (V <sub>CC</sub> + 0.3V)

Short-Circuit Duration T <sub>OUT</sub> to GND	Continuous
Continuous Power Dissipation (T <sub>A</sub> = +70°C)	
6 × 5 UCSP (derate 10.1mW/°C above T <sub>A</sub> = +70°C)	805mW
Operating Temperature Range	-40°C to +85°C
Junction Temperature	+150°C
Storage Temperature Range	-65°C to +150°C
Bump Temperature (Soldering) (Note 2)	
Infrared (15s)	+200°C
Vapor Phase (20s)	+215°C

**Note 1:** V<sub>+</sub> and V<sub>-</sub> can have maximum magnitudes of 7V, but their absolute difference cannot exceed 13V.

**Note 2:** This device is constructed using a unique set of packaging techniques that impose a limit on the thermal profile the device can be exposed to during board level solder attach and rework. This limit permits only the use of the solder profiles recommended in the industry-standard specification, JEDEC 020A, paragraph 7.6, Table 3 for IR/VPR and convection reflow. Preheating is required. Hand or wave soldering is not allowed.

Stresses beyond those listed under "Absolute Maximum Ratings" may cause permanent damage to the device. These are stress ratings only, and functional operation of the device at these or any other conditions beyond those indicated in the operational sections of the specifications is not implied. Exposure to absolute maximum rating conditions for extended periods may affect device reliability.

## ELECTRICAL CHARACTERISTICS

(V<sub>CC</sub> = +2.5V to +5.5V, V<sub>L</sub> = +1.65V to +5.5V, C<sub>1</sub>–C<sub>4</sub> = 0.1μF, tested at +3.3V ±10%, T<sub>A</sub> = T<sub>MIN</sub> to T<sub>MAX</sub>. Typical values are at T<sub>A</sub> = +25°C, unless otherwise noted.) (Note 3)

PARAMETER	SYMBOL	CONDITIONS	MIN	TYP	MAX	UNITS
<b>DC CHARACTERISTICS</b>						
V <sub>L</sub> Input Voltage Range	V <sub>L</sub>		1.65	V <sub>CC</sub> + 0.3		V
V <sub>CC</sub> Supply Current, AutoShutdown	I <sub>CC</sub>	FORCEON = GND $\overline{\text{FORCEOFF}}$ = V <sub>L</sub> , all R <sub>IN</sub> open			10	μA
		$\overline{\text{FORCEOFF}}$ = GND			10	μA
		FORCEON, $\overline{\text{FORCEOFF}}$ floating			1	mA
V <sub>CC</sub> Supply Current, AutoShutdown Disabled	I <sub>CC</sub>	FORCEON = $\overline{\text{FORCEOFF}}$ = V <sub>L</sub> no load		0.3	1	mA
V <sub>L</sub> Supply Current	I <sub>L</sub>	FORCEON or $\overline{\text{FORCEOFF}}$ = GND, V <sub>CC</sub> = V <sub>L</sub> = +5V		85		μA
		FORCEON, $\overline{\text{FORCEOFF}}$ floating		1		
<b>LOGIC INPUTS</b>						
Pullup Currents		FORCEON, $\overline{\text{FORCEOFF}}$ to V <sub>L</sub>	20			μA
Input Logic Low		T <sub>IN</sub> , FORCEON, $\overline{\text{FORCEOFF}}$			0.4	V
Input Logic High		T <sub>IN</sub> , FORCEON, $\overline{\text{FORCEOFF}}$	0.66 × V <sub>L</sub>			V
Transmitter Input Hysteresis				0.5		V
Input Leakage Current		T <sub>IN</sub>		±0.01	±1	μA
<b>RECEIVER OUTPUTS</b>						
Output Leakage Currents		R <sub>OUT</sub> , receivers disabled, $\overline{\text{FORCEOFF}}$ = GND or in AutoShutdown			±10	μA
Output Voltage Low		I <sub>OUT</sub> = 0.8mA			0.4	V
Output Voltage High		I <sub>OUT</sub> = -0.5mA	V <sub>L</sub> - 0.4	V <sub>L</sub> - 0.1		V

# ±15kV ESD-Protected +2.5V to +5.5V RS-232 Transceivers in UCSP

## ELECTRICAL CHARACTERISTICS (continued)

(V<sub>CC</sub> = +2.5V to +5.5V, V<sub>L</sub> = +1.65V to +5.5V, C<sub>1</sub>–C<sub>4</sub> = 0.1μF, tested at +3.3V ±10%, T<sub>A</sub> = T<sub>MIN</sub> to T<sub>MAX</sub>. Typical values are at T<sub>A</sub> = +25°C, unless otherwise noted.) (Note 3)

PARAMETER	SYMBOL	CONDITIONS		MIN	TYP	MAX	UNITS
<b>RECEIVER INPUTS</b>							
Input Voltage Range				-25		+25	V
Input Threshold Low		T <sub>A</sub> = +25°C	V <sub>CC</sub> = +3.3V	0.6	1.2		V
			V <sub>CC</sub> = +5.0V	0.8	1.7		
Input Threshold High		T <sub>A</sub> = +25°C	V <sub>CC</sub> = +3.3V		1.3	2.4	V
			V <sub>CC</sub> = +5.0V		1.8	2.4	
Input Hysteresis					0.5		V
Input Resistance				3	5	7	kΩ
<b>AUTO SHUTDOWN</b>							
Receiver Input Threshold to $\overline{\text{INVALID}}$ Output High		Figure 3a	Positive threshold			2.7	V
			Negative threshold	-2.7			
Receiver Input Threshold to $\overline{\text{INVALID}}$ Output Low				-0.3		0.3	V
Receiver Positive or Negative Threshold to $\overline{\text{INVALID}}$ High	t <sub>INVH</sub>	V <sub>CC</sub> = +5.0V, Figure 3b			1		μs
Receiver Positive or Negative Threshold to $\overline{\text{INVALID}}$ Low	t <sub>INVL</sub>	V <sub>CC</sub> = +5.0V, Figure 3b			30		μs
Receiver Edge to Transmitters Enabled	t <sub>WU</sub>	V <sub>CC</sub> = +5.0V, Figure 3b			100		μs
<b>INVALID OUTPUT</b>							
Output Voltage Low		I <sub>OUT</sub> = 0.3mA				0.4	V
Output Voltage High		I <sub>OUT</sub> = -0.5mA		V <sub>CC</sub> - 0.4		V <sub>CC</sub> - 0.1	V
<b>TRANSMITTER OUTPUTS</b>							
V <sub>CC</sub> Mode Switch Point (V <sub>CC</sub> Falling)		T <sub>OUT</sub> = ±5.0V to ±3.7V		2.85		3.1	V
V <sub>CC</sub> Mode Switch Point (V <sub>CC</sub> Rising)		T <sub>OUT</sub> = ±3.7V to ±5.0V		3.3		3.7	V
V <sub>CC</sub> Mode Switch Point Hysteresis					400		mV
Output Voltage Swing		All transmitter outputs loaded with 3kΩ to ground.	V <sub>CC</sub> = +3.1V to +5.5V, V <sub>CC</sub> falling (T <sub>A</sub> = +25°C)	±5	±5.4		V
			V <sub>CC</sub> = +2.5V to +3.1V, V <sub>CC</sub> rising	±3.7			
Output Resistance		V <sub>CC</sub> = V <sub>+</sub> = V <sub>-</sub> = 0, T <sub>OUT</sub> = ±2V		300	10M		Ω
Output Short-Circuit Current						±60	mA
Output Leakage Current		T <sub>OUT</sub> = ±12V, transmitters disabled				±25	μA
<b>ESD PROTECTION</b>							
R <sub>IN</sub> , T <sub>OUT</sub>		Human Body Model			±15		kV
		IEC 1000-4-2 Air-Gap Discharge			±15		
		IEC 1000-4-2 Contact Discharge			±8		

MAX3228E/MAX3229E

# ±15kV ESD-Protected +2.5V to +5.5V RS-232 Transceivers in UCSP

## TIMING CHARACTERISTICS

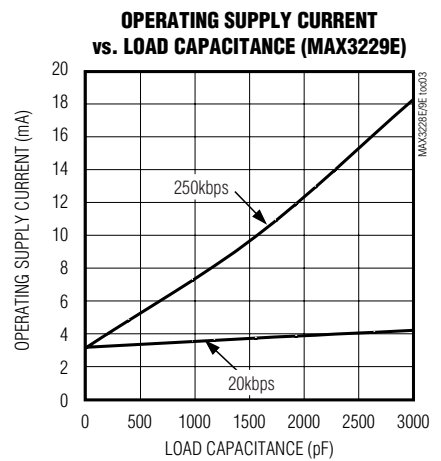
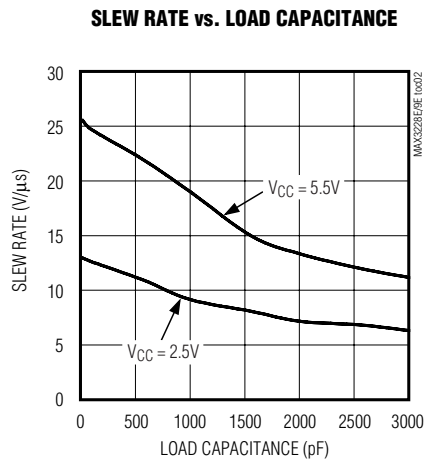
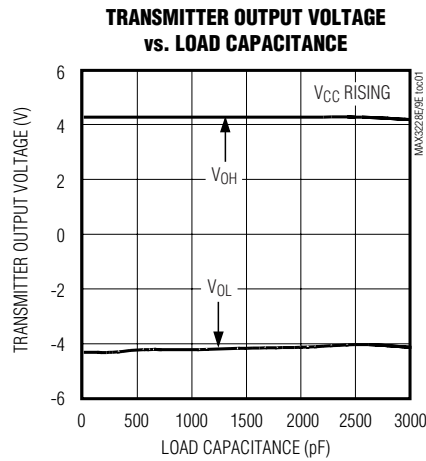
( $V_{CC} = +2.5V$  to  $+5.5V$ ,  $V_L = +1.65V$  to  $+5.5V$ ,  $C_1-C_4 = 0.1\mu F$ , tested at  $+3.3V \pm 10\%$ ,  $T_A = T_{MIN}$  to  $T_{MAX}$ . Typical values are at  $T_A = +25^\circ C$ , unless otherwise noted.) (Note 3)

PARAMETER	SYMBOL	CONDITIONS	MIN	TYP	MAX	UNITS
Maximum Data Rate		$R_L = 3k\Omega$ , $C_L = 1000pF$ , one transmitter switching	250			kbps
Receiver Propagation Delay		Receiver input to receiver output, $C_L = 150pF$		0.15		$\mu s$
Receiver Output Enable-Time		$V_{CC} = V_L = +5V$		200		ns
Receiver Output Disable-Time		$V_{CC} = V_L = +5V$		200		ns
Transmitter Skew	$ t_{PHL} - t_{PLH} $			100		ns
Receiver Skew	$ t_{PHL} - t_{PLH} $			50		ns
Transition Region Slew Rate		$R_L = 3k\Omega$ to $7k\Omega$ , $C_L = 150pF$ to $1000pF$ , $T_A = +25^\circ C$	6		30	$V/\mu s$

**Note 3:**  $V_{CC}$  must be greater than  $V_L$ .

## Typical Operating Characteristics

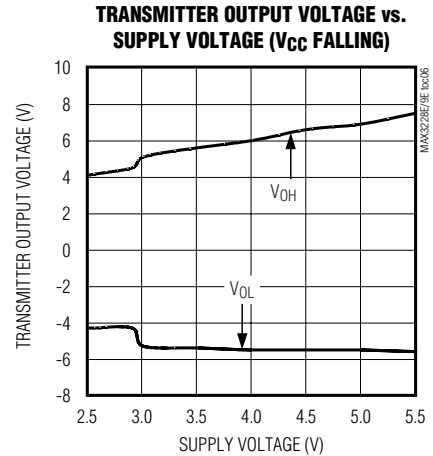
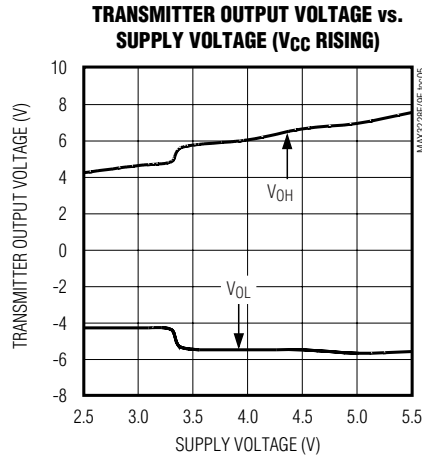
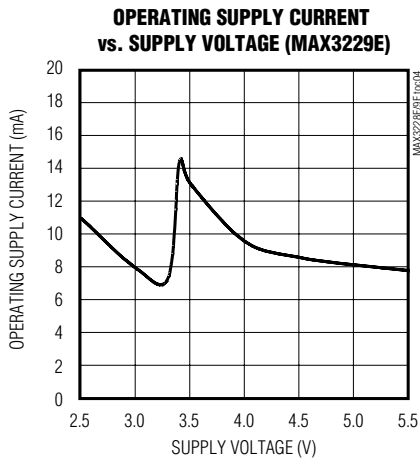
( $V_{CC} = +3.3V$ , 250kbps data rate,  $0.1\mu F$  capacitors, all transmitters loaded with  $3k\Omega$  and  $C_L$ ,  $T_A = +25^\circ C$ , unless otherwise noted.)



# ±15kV ESD-Protected +2.5V to +5.5V RS-232 Transceivers in UCSP

## Typical Operating Characteristics (continued)

( $V_{CC} = +3.3V$ , 250kbps data rate, 0.1 $\mu F$  capacitors, all transmitters loaded with 3k $\Omega$  and  $C_L$ ,  $T_A = +25^\circ C$ , unless otherwise noted.)



## Pin Description

PIN		NAME	FUNCTION
MAX3228E	MAX3229E		
A1	A1	$V_{CC}$	+2.5V to +5.5V Supply Voltage
A2	A2	C2+	Positive Terminal of Inverting Charge-Pump Capacitor
A3	A3	C2-	Negative Terminal of Inverting Charge-Pump Capacitor
A4	A4	V-	-5.5V/-4.0V Generated by Charge Pump
A5	A5	$V_L$	Logic-Level Input for Receiver Outputs and Transmitter Inputs. Connect $V_L$ to the system logic supply voltage or $V_{CC}$ if no logic supply is required.
A6, B6	A6	T_IN	Transmitter Input(s)
B1	B1	V+	+5.5V/+4.0V Generated by Charge Pump. If charge pump is generating +4.0V, the part has switched from RS-232 compliant to RS-232 compatible mode.
B2, B3, B4, C2, C3, C4, D2, D3, D4, D5	B2, B3, B4, C2, C3, C4, D2, D3, D4, D5	N.C.	No Connection. These locations are not populated with solder bumps.
B5	B5	FORCEON	FORCEON Input, Active-High. Drive FORCEON high to override automatic circuitry, keeping transmitters and charge pumps on. Pulls itself high internally if not connected.
—	B6, D6, E4, E6	N.C.	No Connection. These locations are populated with solder bumps, but are electrically isolated.
C1	C1	C1+	Positive Terminal of Positive Regulated Charge-Pump Capacitor

# ±15kV ESD-Protected +2.5V to +5.5V RS-232 Transceivers in UCSP

## Pin Description (continued)

PIN		NAME	FUNCTION
MAX3228E	MAX3229E		
C5	C5	FORCEOFF	FORCEOFF Input, Active-Low. Drive FORCEOFF low to shut down transmitters, receivers, and on-board charge pump. This overrides all automatic circuitry and FORCEON. Pulls itself high internally if not connected.
C6, D6	C6	R_OUT	Receiver Output(s)
D1	D1	C1-	Negative Terminal of Positive Regulated Charge-Pump Capacitor
E1	E1	GND	Ground
E2	E2	INVALID	Output of Valid Signal Detector. INVALID is enabled low if no valid RS-232 level is present on any receiver input.
E3, E4	E3	T_OUT	RS-232 Transmitter Output(s)
E5, E6	E5	R_IN	RS-232 Receiver Input(s)

**Table 1. Operating Supply Options**

SYSTEM SUPPLY (V)	V <sub>CC</sub> (V)	V <sub>L</sub> (V)	RS-232 MODE
1 Li+ Cell	+2.4 to +4.2	Regulated System Voltage	Compliant/Compatible
3 NiCad/NiMh Cells	+2.4 to +3.8	Regulated System Voltage	Compliant/Compatible
Regulated Voltage Only (V <sub>CC</sub> falling)	+3.0 to +5.5	+3.0 to +5.5	Compliant
Regulated Voltage Only (V <sub>CC</sub> falling)	+2.5 to +3.0	+2.5 to +3.0	Compatible

## Detailed Description

### Dual-Mode Regulated Charge-Pump Voltage Converter

The MAX3228E/MAX3229E internal power supply consists of a dual-mode regulated charge pump. For supply voltages above +3.7V, the charge pump will generate +5.5V at V<sub>+</sub> and -5.5V at V<sub>-</sub>. The charge pumps operate in a discontinuous mode. If the output voltages are less than ±5.5V, the charge pumps are enabled, if the output voltages exceed ±5.5V, the charge pumps are disabled.

For supply voltages below +2.85V, the charge pump will generate +4.0V at V<sub>+</sub> and -4.0V at V<sub>-</sub>. The charge pumps operate in a discontinuous mode. If the output voltages are less than ±4.0V, the charge pumps are enabled, if the output voltages exceed ±4.0V, the charge pumps are disabled.

Each charge pump requires a flying capacitor (C1, C2) and a reservoir capacitor (C3, C4) to generate the V<sub>+</sub> and V<sub>-</sub> supply voltages.

### Voltage Generation in the Switchover Region

The MAX3228E/MAX3229E include a switchover circuit between these two modes that have approximately 400mV of hysteresis around the switchover point. The hysteresis is shown in Figure 1. This large hysteresis eliminates mode changes due to power-supply bounce.

For example, a three-cell NiMh battery system starts at V<sub>CC</sub> = +3.6V, and the charge pump will generate an output voltage of ±5.5V. As the battery discharges, the

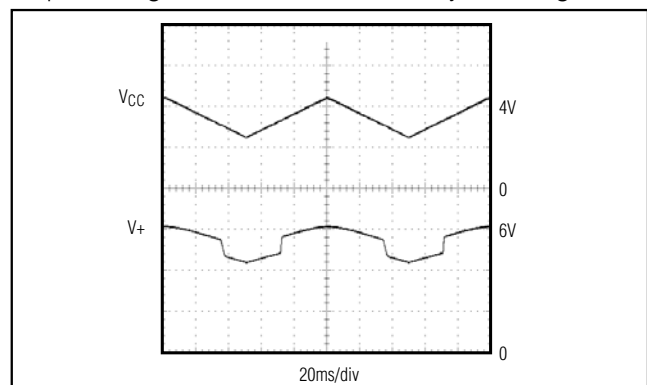


Figure 1. V<sub>+</sub> Switchover for Changing V<sub>CC</sub>

# ±15kV ESD-Protected +2.5V to +5.5V RS-232 Transceivers in UCSP

MAX3228E/MAX3229E

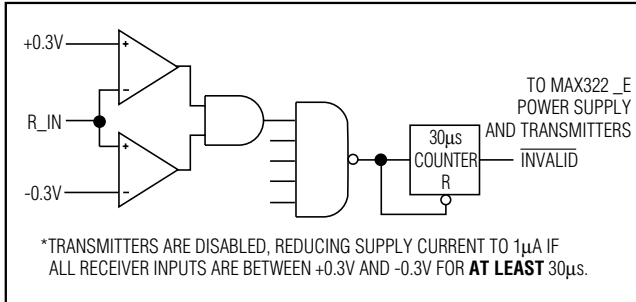


Figure 2a. MAX322\_E Entering 1µA Supply Mode via AutoShutdown

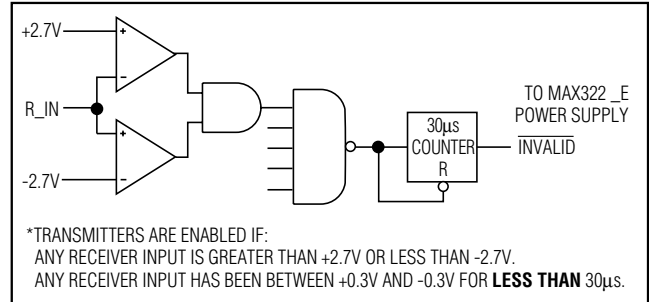


Figure 2b. MAX322\_E with Transmitters Enabled Using AutoShutdown

MAX3228E/MAX3229E maintain the outputs in regulation until the battery voltage drops below +3.1V. Then the output regulation points change to ±4.0V

When  $V_{CC}$  is rising, the charge pump will generate an output voltage of ±4.0V, while  $V_{CC}$  is between +2.5V and +3.5V. When  $V_{CC}$  rises above the switchover voltage of +3.5V, the charge pump switches modes to generate an output of ±5.5V.

Table 1 shows different supply schemes and their operating voltage ranges.

## RS-232 Transmitters

The transmitters are inverting level translators that convert CMOS-logic levels to RS-232 levels. The MAX3228E/MAX3229E will automatically reduce the RS-232 compliant levels (±5.5V) to RS-232 compatible levels (±4.0V) when  $V_{CC}$  falls below approximately +3.1V. The reduced levels also reduce supply current requirements, extending battery life. Built-in hysteresis of approximately 400mV for  $V_{CC}$  ensures that the RS-232 output levels do not change if  $V_{CC}$  is noisy or has a sudden current draw causing the supply voltage to drop slightly. The outputs will return to RS-232 compliant levels (±5.5V) when  $V_{CC}$  rises above approximately +3.5V.

The MAX3228E/MAX3229E transmitters guarantee a 250kbps data rate with worst-case loads of 3kΩ in parallel with 1000pF.

When  $\overline{\text{FORCEOFF}}$  is driven to ground, the transmitters and receivers are disabled and the outputs become high impedance. When the AutoShutdown circuitry senses that all receiver and transmitter inputs are inactive for more than 30µs, the transmitters are disabled and the outputs go to a high-impedance state. When the power is off, the MAX3228E/MAX3229E permit the transmitter outputs to be driven up to ±12V.

The transmitter inputs do not have pullup resistors. Connect unused inputs to GND or  $V_L$ .

## RS-232 Receivers

The MAX3228E/MAX3229E receivers convert RS-232 signals to logic output levels. All receivers have inverting three-state outputs and can be active or inactive. In shutdown ( $\overline{\text{FORCEOFF}} = \text{low}$ ) or in AutoShutdown, the MAX3228E/MAX3229E receivers are in a high-impedance state (Table 3).

The MAX3228E/MAX3229E feature an  $\overline{\text{INVALID}}$  output that is enabled low when no valid RS-232 signal levels have been detected on any receiver inputs.  $\overline{\text{INVALID}}$  is functional in any mode (Figures 2 and 3).

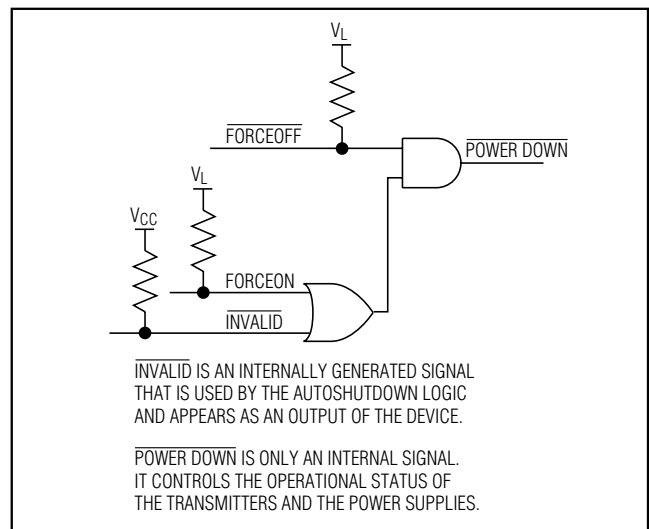


Figure 2c. MAX322\_E AutoShutdown Logic

# ±15kV ESD-Protected +2.5V to +5.5V RS-232 Transceivers in UCSP

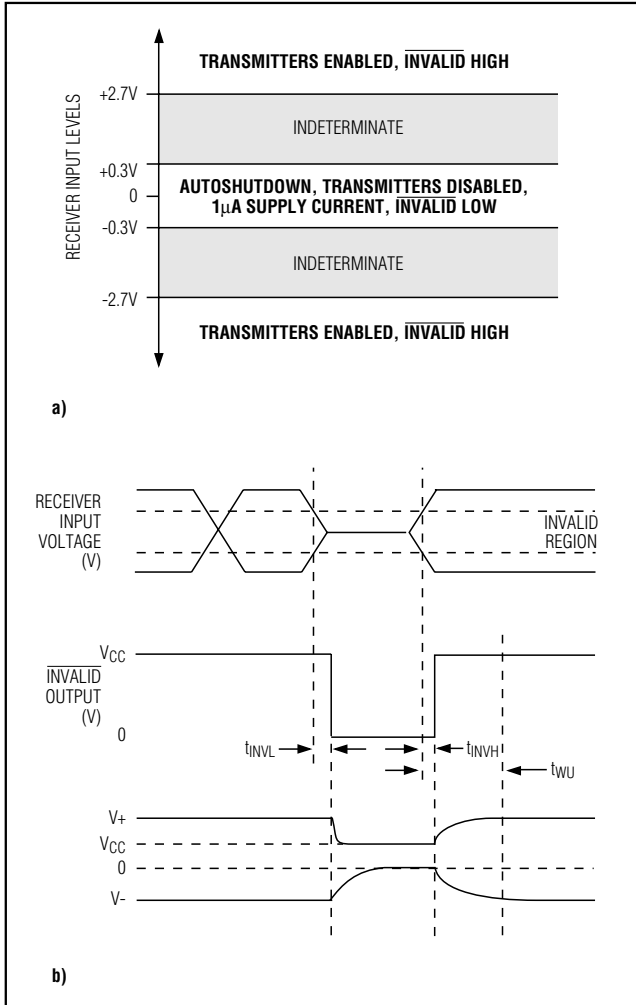


Figure 3. AutoShutdown Trip Levels

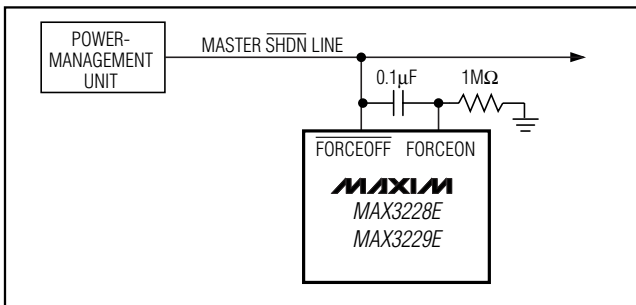


Figure 4. AutoShutdown with Initial Turn-On to Wake Up a Mouse or Another System

### AutoShutdown

The MAX3228E/MAX3229E achieve a 1µA supply current with Maxim’s AutoShutdown feature, which operates when FORCEON is low and FORCEOFF is high. When these devices sense no valid signal levels on all receiver inputs for 30µs, the on-board charge pump and drivers are shut off, reducing VCC supply current to 1µA. This occurs if the RS-232 cable is disconnected or the connected peripheral transmitters are turned off. The device turns on again when a valid level is applied to any RS-232 receiver input. As a result, the system saves power without changes to the existing BIOS or operating system.

Table 3 and Figure 2c summarize the MAX3228E/MAX3229E operating modes. FORCEON and FORCEOFF override AutoShutdown. When neither control is asserted, the IC selects between these states automatically, based on receiver input levels. Figures 2a, 2b, and 3a depict valid and invalid RS-232 receiver levels. Figures 3a and 3b show the input levels and timing diagram for AutoShutdown operation.

A system with AutoShutdown may need time to wake up. Figure 4 shows a circuit that forces the transmitters on for 100ms, allowing enough time for the other system to realize that the MAX3228E/MAX3229E are active. If the other system transmits valid RS-232 signals within that time, the RS-232 ports on both systems remain enabled.

When shut down, the device’s charge pumps are off, V+ is pulled to VCC, V- is pulled to ground, and the transmitter outputs are high-impedance. The time required to exit shutdown is typically 100µs (Figure 3b).

### FORCEON and FORCEOFF

In case FORCEON and FORCEOFF are inaccessible, these pins have 60kΩ (typ) pullup resistors connected to VL (Table 2). Therefore, if FORCEON and FORCEOFF are not connected, the MAX3228E and MAX3229E will always be active. Pulling these pins to ground will draw current from the VL supply. This current can be calculated from the voltage supplied at VL and the 60kΩ (typ) pullup resistor.

### VL Logic Supply Input

Unlike other RS-232 interface devices, where the receiver outputs swing between 0 and VCC, the

Table 2. Power-On Default States

PIN NAME	POWER-ON DEFAULT	MECHANISM
FORCEON	High	Internal pullup
FORCEOFF	High	Internal pullup



# ±15kV ESD-Protected +2.5V to +5.5V RS-232 Transceivers in UCSP

MAX3228E/MAX3229E

**Table 3. Output Control Truth Table**

TRANSCIVER STATUS	FORCEON	FORCEOFF	RECEIVER STATUS	INVALID
Shutdown (AutoShutdown)	Low	High	High-Z	L
Shutdown (Forced Off)	X	Low	High-Z	†
Normal Operation (Forced On)	High	High	Active	†
Normal Operation (AutoShutdown)	Low	High	Active	H

X = Don't care.

† = INVALID output state is determined by R\_IN input levels.

MAX3228E/MAX3229E feature a separate logic supply input (V<sub>L</sub>) that sets V<sub>OH</sub> for the receiver and INVALID outputs. The transmitter inputs (T\_IN), FORCEON and FORCEOFF, are also referred to V<sub>L</sub>. This feature allows maximum flexibility in interfacing to different systems and logic levels. Connect V<sub>L</sub> to the system's logic supply voltage (+1.65V to +5.5V), and bypass it with a 0.1µF capacitor to GND. If the logic supply is the same as V<sub>CC</sub>, connect V<sub>L</sub> to V<sub>CC</sub>. Always enable V<sub>CC</sub> before enabling the V<sub>L</sub> supply. V<sub>CC</sub> must be greater than or equal to the V<sub>L</sub> supply.

### Software-Controlled Shutdown

If direct software control is desired, connect FORCEOFF and FORCEON together to disable AutoShutdown. The microcontroller then drives FORCEOFF and FORCEON like a SHDN input, INVALID can be used to alert the microcontroller to indicate serial data activity.

### ±15kV ESD Protection

As with all Maxim devices, ESD-protection structures are incorporated on all pins to protect against electrostatic discharges encountered during handling and assembly. The driver outputs and receiver inputs of the MAX3228E/MAX3229E have extra protection against static electricity. Maxim's engineers have developed state-of-the-art structures to protect these pins against ESD of ±15kV without damage. The ESD structures withstand high ESD in all states: normal operation, shutdown, and powered down. After an ESD event Maxim's E versions keep working without latchup, whereas competing RS-232 products can latch and must be powered down to remove latchup.

ESD protection can be tested in various ways; the transmitter outputs and receiver inputs of this product family are characterized for protection to the following limits:

- 1) ±15kV using the Human Body Model.
- 2) ±8kV using the Contact Discharge method specified in IEC 1000-4-2.
- 3) ±15kV using the IEC 1000-4-2 Air-Gap method.

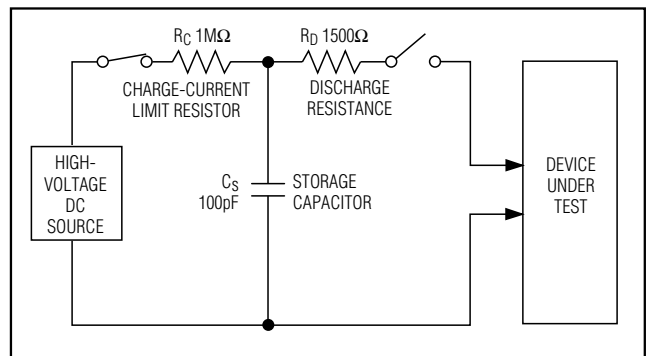


Figure 5a. Human Body ESD Test Models

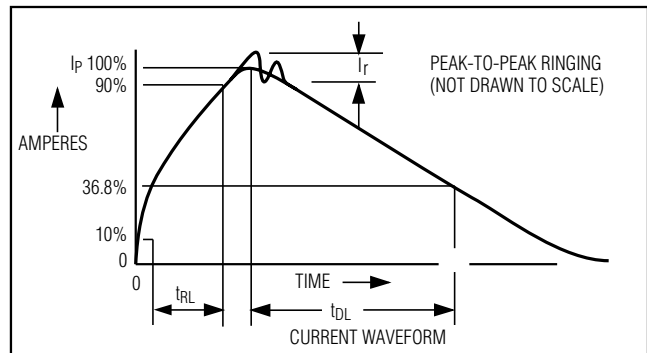


Figure 5b. Human Body Model Current Waveform

### ESD Test Conditions

ESD performance depends on a variety of conditions. Contact Maxim for a reliability report that documents test setup, test methodology, and test results.

### Human Body Model

Figure 5a shows the Human Body Model, and Figure 5b shows the current waveform it generates when discharged into a low impedance. This model consists of a 100pF capacitor charged to the ESD voltage of interest, which is then discharged into the test device through a 1.5kΩ resistor.

# ±15kV ESD-Protected +2.5V to +5.5V RS-232 Transceivers in UCSP

## IEC 1000-4-2

The IEC 1000-4-2 standard covers ESD testing and performance of finished equipment; it does not specifically refer to integrated circuits. The MAX3228E/MAX3229E help you design equipment that meets Level 4 (the highest level) of IEC 1000-4-2, without the need for additional ESD-protection components.

The major difference between tests done using the Human Body Model and IEC 1000-4-2 is a higher peak current in IEC 1000-4-2, because series resistance is lower in the IEC 1000-4-2 model. Hence, the ESD withstand voltage measured to IEC 1000-4-2 is generally lower than that measured using the Human Body Model. Figure 6a shows the IEC 1000-4-2 model, and Figure 6b shows the current waveform for the ±8kV IEC 1000-4-2 Level 4 ESD contact discharge test.

The air-gap test involves approaching the device with a charged probe. The Contact Discharge method connects the probe to the device before the probe is energized.

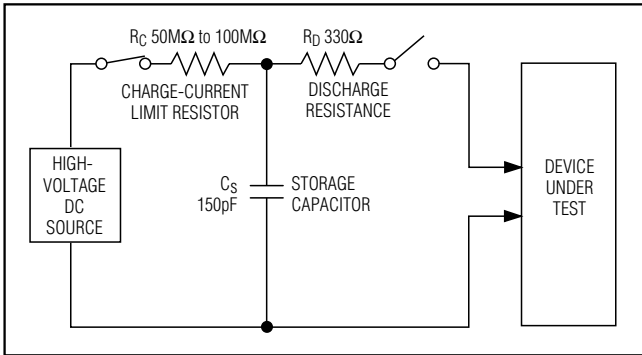


Figure 6a. IEC 1000-4-2 ESD Test Model

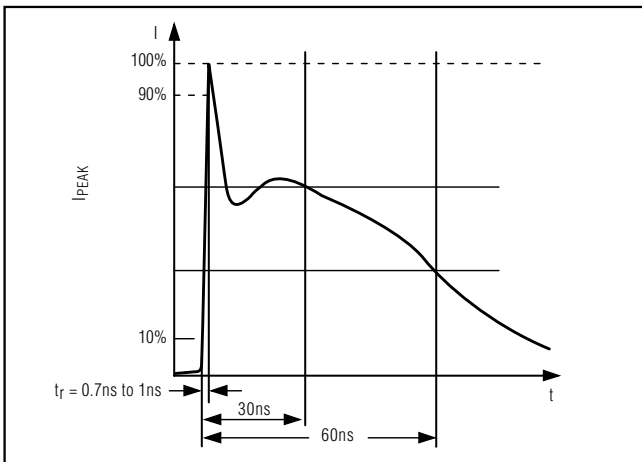


Figure 6b. IEC 1000-4-2 ESD Generator Current Waveform

## Machine Model

The Machine Model for ESD tests all pins using a 200pF storage capacitor and zero discharge resistance. Its objective is to emulate the stress caused by contact that occurs with handling and assembly during manufacturing. Of course, all pins require this protection during manufacturing, not just RS-232 inputs and outputs. Therefore, after PC board assembly, the Machine Model is less relevant to I/O ports.

## Applications Information

### Capacitor Selection

The capacitor type used for C1–C4 is not critical for proper operation; either polarized or non polarized capacitors may be used. However, ceramic chip capacitors with an X7R or X5R dielectric work best. The charge pump requires 0.1µF capacitors for 3.3V operation. For other supply voltages, refer to Table 4 for required capacitor values. Do not use values smaller than those listed in Table 4. Increasing the capacitor values (e.g., by a factor of 2) reduces ripple on the transmitter outputs and slightly reduces power consumption. C2, C3, and C4 can be increased without changing C1's value. **However, do not increase C1 without also increasing the values of C2, C3, and C4 to maintain the proper ratios (C1 to the other capacitors).**

When using the minimum required capacitor values, make sure the capacitor value does not degrade excessively with temperature. If in doubt, use capacitors with a larger nominal value. The capacitor's equivalent series resistance (ESR) usually rises at low temperatures and influences the amount of ripple on V+ and V-.

### Power-Supply Decoupling

In most circumstances, a 0.1µF VCC bypass capacitor is adequate. In applications that are sensitive to power-supply noise, use a capacitor of the same value as the charge-pump capacitor C1. Connect bypass capacitors as close to the IC as possible.

Table 4. Required Capacitor Values

VCC (V)	C1, CBYPASS (µF)	C2, C3, C4 (µF)
2.5 to 3.0	0.22	0.22
3.0 to 3.6	0.1	0.1
4.5 to 5.5	0.047	0.33
3.0 to 5.5	0.22	1

# ±15kV ESD-Protected +2.5V to +5.5V RS-232 Transceivers in UCSP

MAX3228E/MAX3229E

## Transmitter Outputs when Exiting Shutdown

Figure 7 shows a transmitter output when exiting shutdown mode. The transmitter is loaded with 3kΩ in parallel with 1000pF. The transmitter output displays no ringing or undesirable transients as it comes out of shutdown, and is enabled only when the magnitude of V<sub>-</sub> exceeds approximately -3V.

## High Data Rates

The MAX3228E/MAX3229E maintain the RS-232 ±5.0V minimum transmitter output voltage even at high data rates. Figure 8 shows a transmitter loopback test circuit. Figure 9 shows a loopback test result at 120kbps, and Figure 10 shows the same test at 250kbps. For

Figure 9, the transmitter was driven at 120kbps into an RS-232 load in parallel with 1000pF. For Figure 10, a single transmitter was driven at 250kbps, and loaded with an RS-232 receiver in parallel with 1000pF.

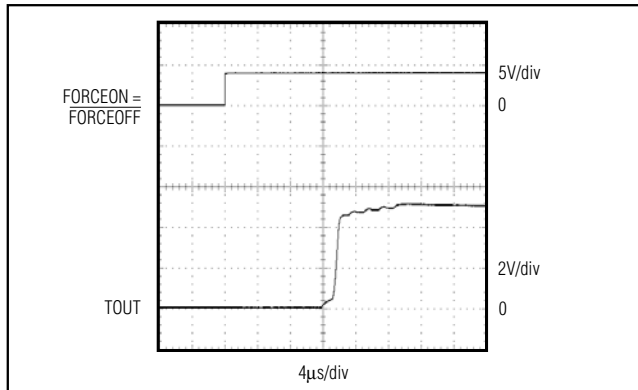


Figure 7. Transmitter Outputs Exiting Shutdown or Powering Up

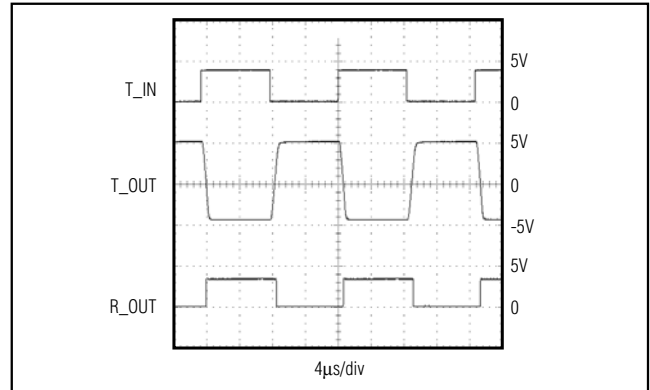


Figure 9. Loopback Test Result at 120kbps

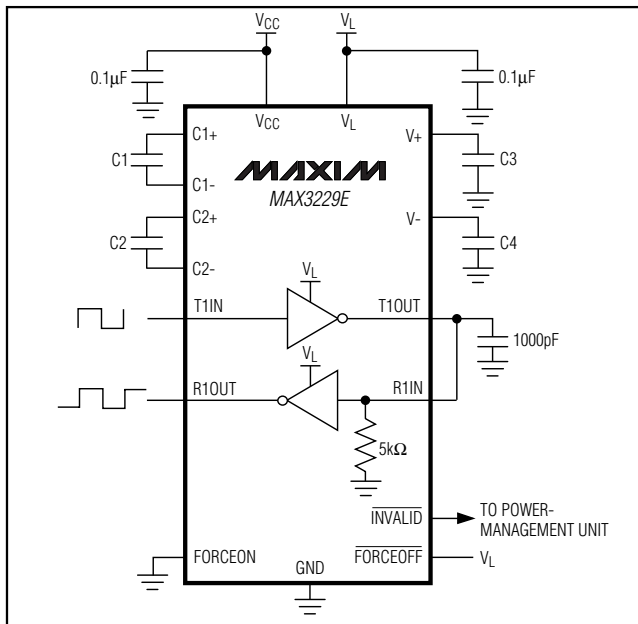


Figure 8. Transmitter Loopback Test Circuit

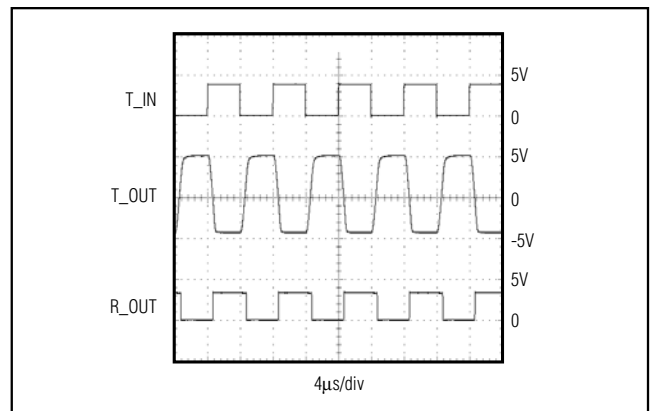
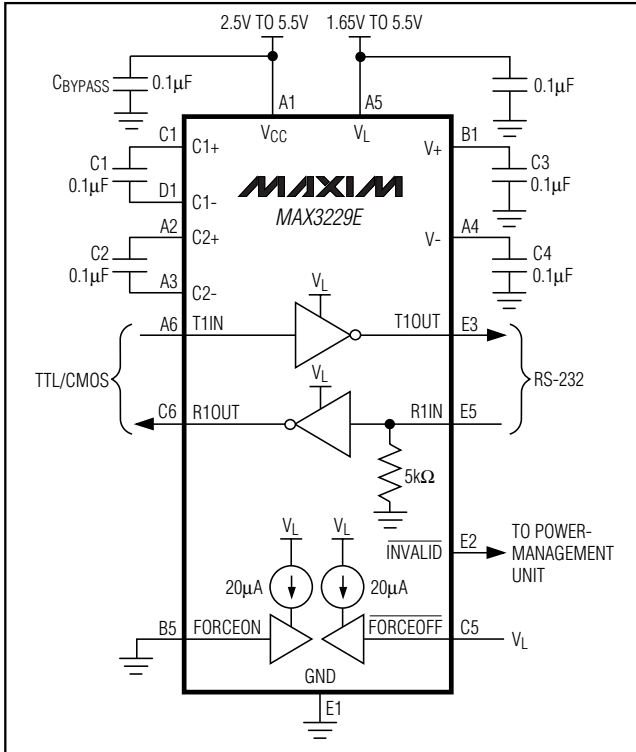


Figure 10. Loopback Test Result at 250kbps

# ±15kV ESD-Protected +2.5V to +5.5V RS-232 Transceivers in UCSP

## Typical Operating Circuits (continued)



## UCSP Reliability

The UCSP represents a unique packaging form factor that may not perform equally to a packaged product through traditional mechanical reliability tests. CSP reliability is integrally linked to the user's assembly methods, circuit board material, and usage environment. The user should closely review these areas when considering use of a CSP package. Performance through Operating Life Test and Moisture Resistance remains uncompromised as it is primarily determined by the wafer-fabrication process.

Mechanical stress performance is a greater consideration for a CSP package. CSPs are attached through direct solder contact to the user's PC board, foregoing the inherent stress relief of a packaged product lead frame. Solder joint contact integrity must be considered. Table 2 shows the testing done to characterize the CSP reliability performance. In conclusion, the UCSP is capable of performing reliably through environmental stresses as indicated by the results in the table. Additional usage data and recommendations are detailed in the UCSP application note, which can be found on Maxim's website at [www.maxim-ic.com](http://www.maxim-ic.com).

## Chip Information

TRANSISTOR COUNT: 698

PROCESS TECHNOLOGY: CMOS

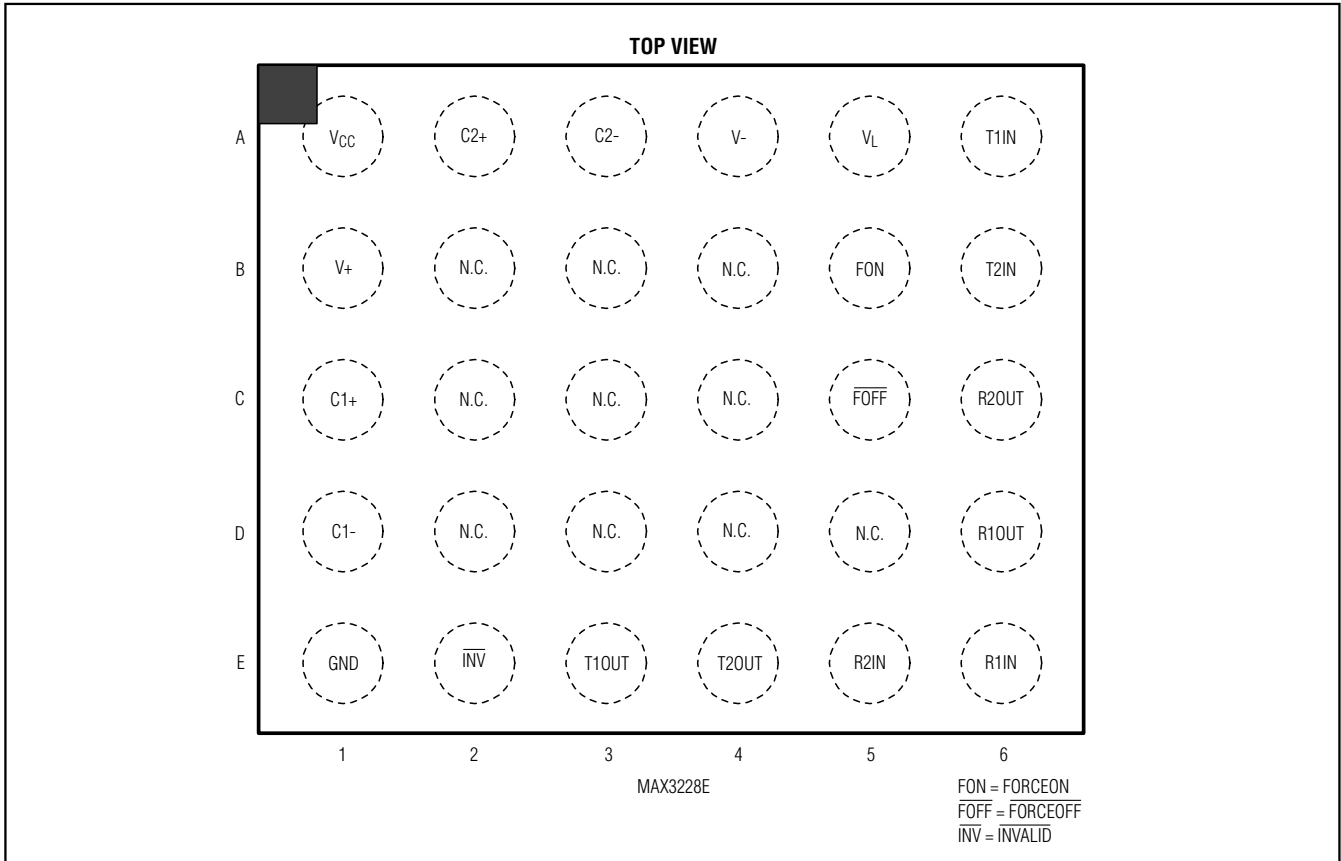
**Table 2. Reliability Test Data**

TEST	CONDITIONS	DURATION	NO. OF FAILURES PER SAMPLE SIZE
Temperature Cycle	-35°C to +85°C, -40°C to +100°C	150 cycles, 900 cycles	0/10, 0/200
Operating Life	T <sub>A</sub> = +70°C	240hr	0/10
Moisture Resistance	+20°C to +60°C, 90% RH	240hr	0/10
Low-Temperature Storage	-20°C	240hr	0/10
Low-Temperature Operational	-10°C	24hr	0/10
Solderability	8hr steam age	—	0/15
ESD	±2000V, Human Body Model	—	0/5
High-Temperature Operating Life	T <sub>J</sub> = +150°C	168hr	0/45

# ±15kV ESD-Protected +2.5V to +5.5V RS-232 Transceivers in UCSP

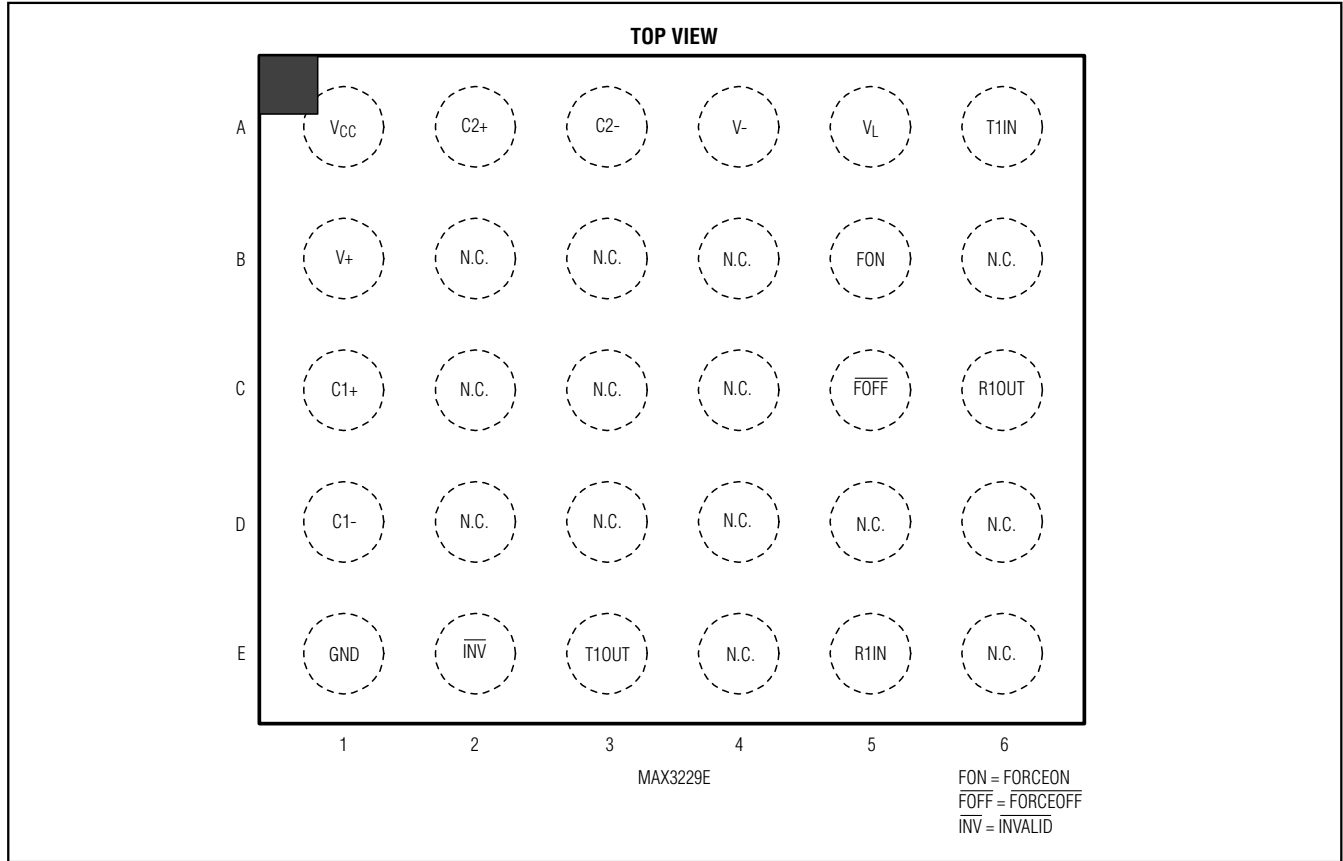
## Pin Configurations

MAX3228E/MAX3229E



**±15kV ESD-Protected +2.5V to +5.5V RS-232 Transceivers in UCSP**

**Pin Configurations (continued)**

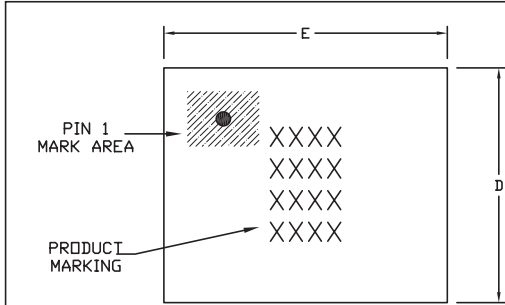


# ±15kV ESD-Protected +2.5V to +5.5V RS-232 Transceivers in UCSP

## Package Information

**MAX3228E/MAX3229E**

30L UCSP 6x5 EPS



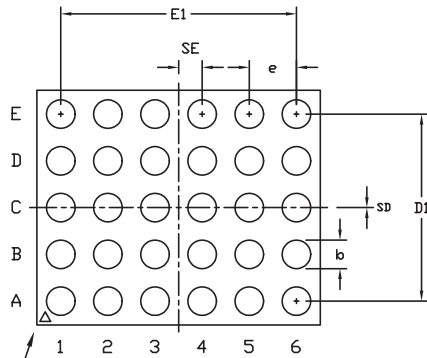
**TOP VIEW**

COMMON DIMENSIONS	
A	0.62±0.05-0.08
A1	0.29±0.02
A2	0.33 REF.
b	∅0.35±0.03
D	2.55±0.10
D1	2.00 BASIC
E	3.06±0.10
E1	2.50 BASIC
e	0.50 BASIC
SD	0.00 BASIC
SE	0.25 BASIC

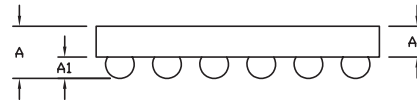
PKG. CODE	DEPOPULATED SOLDER BALLS
B30-1	NONE
B30-2	B4, C1, C4, D4
B30-3	B2, B3, B4 C2, C3, C4 D2, D3, D4, D5
B30-4	B3, B4 C2, C3, C4, C5 D3, D4

**NOTES:**

1. ALL DIMENSIONS ARE IN MILLIMETERS.
2. PRODUCT MARKING: NUMBER OF CHARACTERS AND LINES VARY PER PRODUCT.



**BOTTOM VIEW**



**SIDE VIEW**

PROPRIETARY INFORMATION		
TITLE: PACKAGE OUTLINE, 6x5 UCSP		
APPROVAL	DOCUMENT CONTROL NO. 21-0123	REV. G 1/1

Maxim cannot assume responsibility for use of any circuitry other than circuitry entirely embodied in a Maxim product. No circuit patent licenses are implied. Maxim reserves the right to change the circuitry and specifications without notice at any time.

**Maxim Integrated Products, 120 San Gabriel Drive, Sunnyvale, CA 94086 408-737-7600** \_\_\_\_\_ 15